

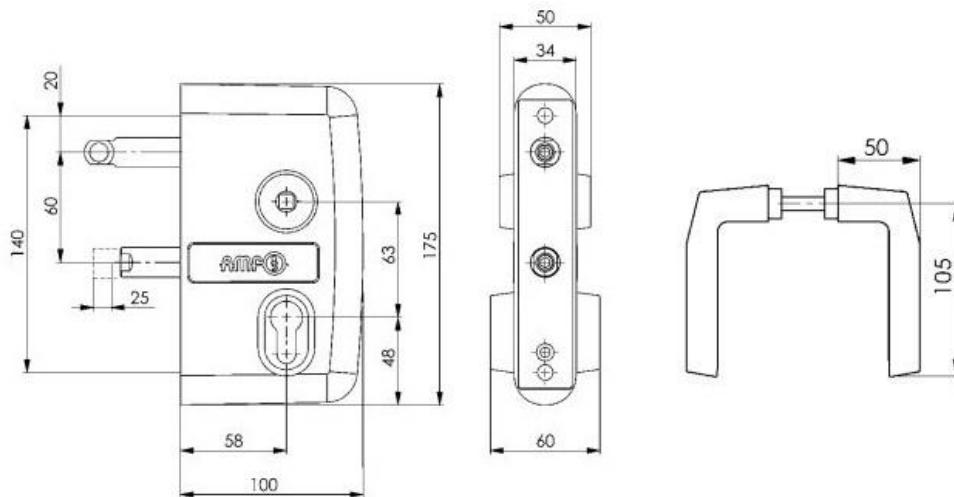
Overview:



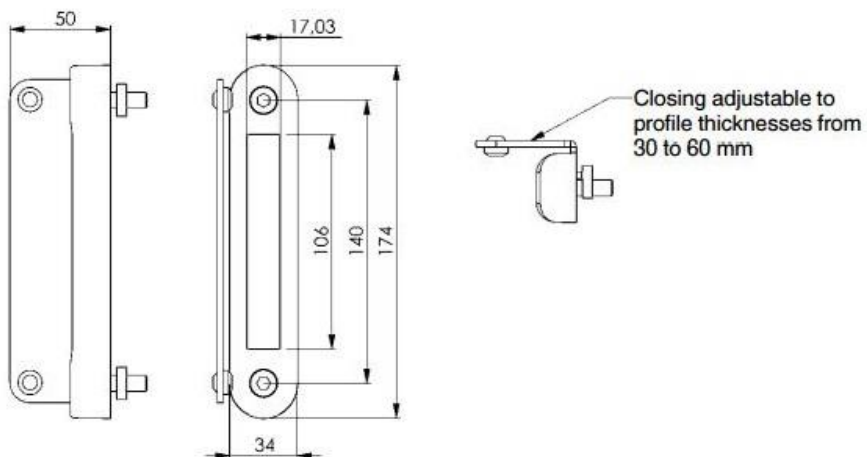
- Award winning design
- Corrosion resistant construction
- Suitable for gate frames 30 to 60mm
- Reversible for right or left application
- Adjustable latch bolt and dead bolt
- Noise suppressing caps

Dimensions:

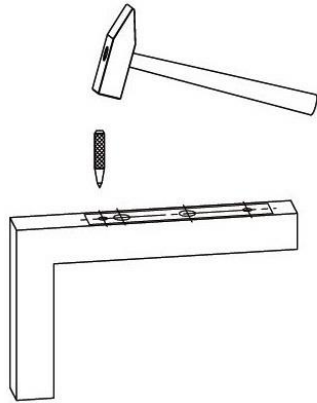
AMF Metal Gate Lock



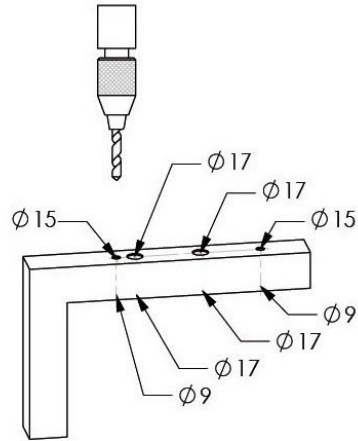
AMF Gate Lock Stop



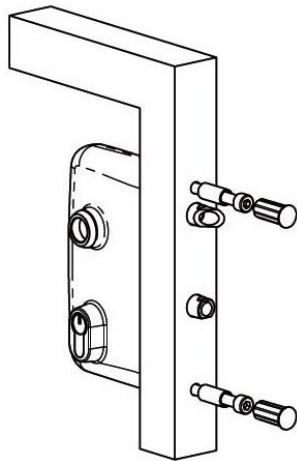
Installation:



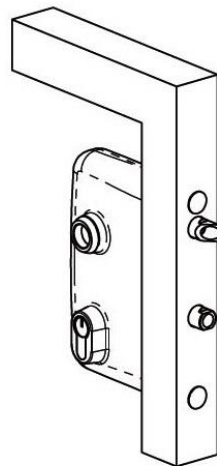
Transfer hole centers



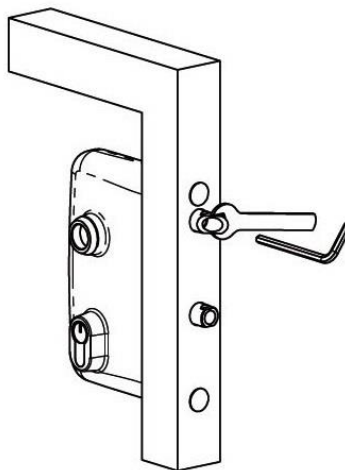
Drill holes



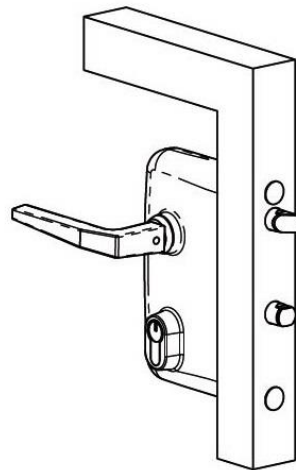
Fit euro cylinder and install lock



Set length and closing direction



Secure latch and dead bolt, tighten screw



Fit gate handle and caps