

### Overview:

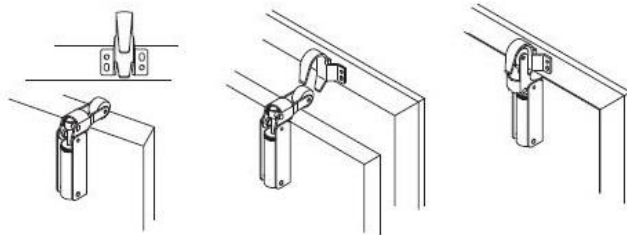
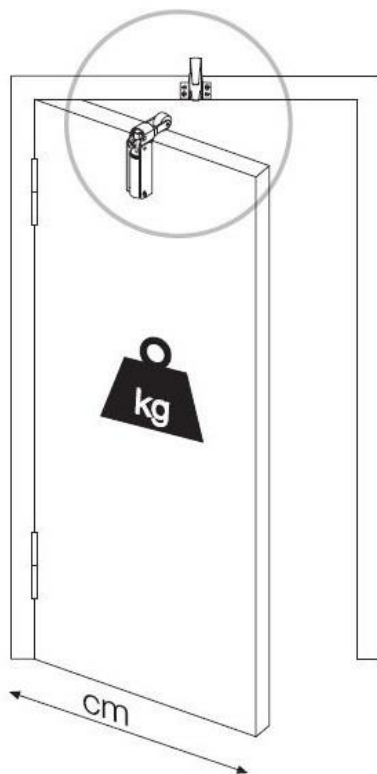


- Eliminates possible door slams
- Acts on the last 10° of closing
- Secures the door in the closed position
- Quick and easy to install
- Adjustable closing speed
- Mounting bracket for use on sliding doors

### Material:

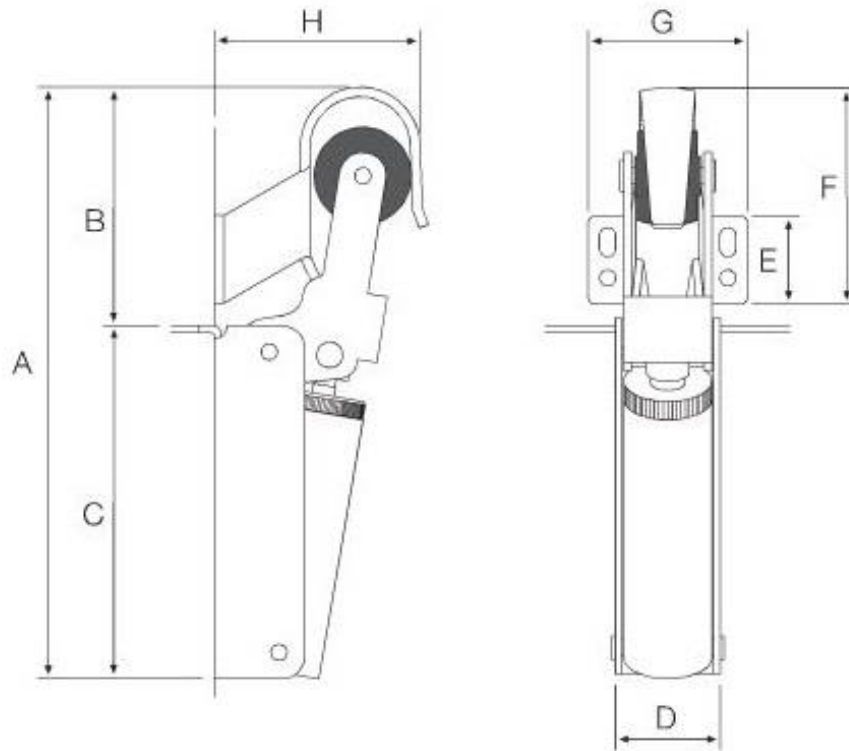
- Silver anodised aluminium version for internal doors
- Corrosion resistant stainless steel version for external doors

### Models:

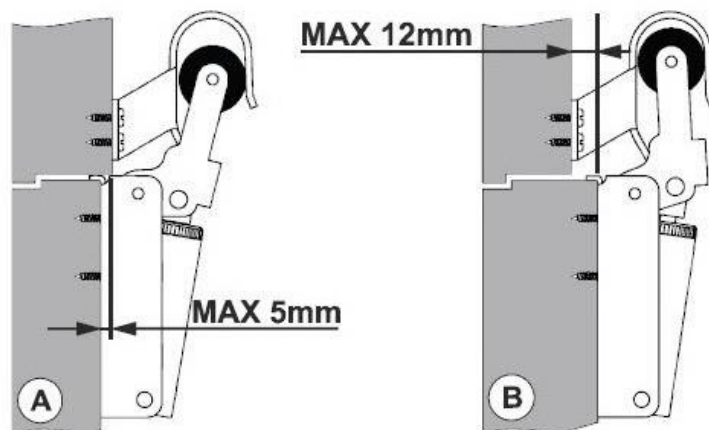


Mod.	F (Newtons)	cm	kg
FR 0G	30	75	15
FR 1G	60	85	40
FR 2G	80	110	80
FR 3G	115	125	100

### Dimensions:



Model	A	B	C	D	E	F	G	H
FR 0G	183.5	75	108.5	32	27	66.5	49	64
FR 1G								
FR 2G	200	75	125	36	27	66.5	49	64
FR 3G								



Installation limits when using the standard hook supplied with the door damper.

**Accessories:**

