

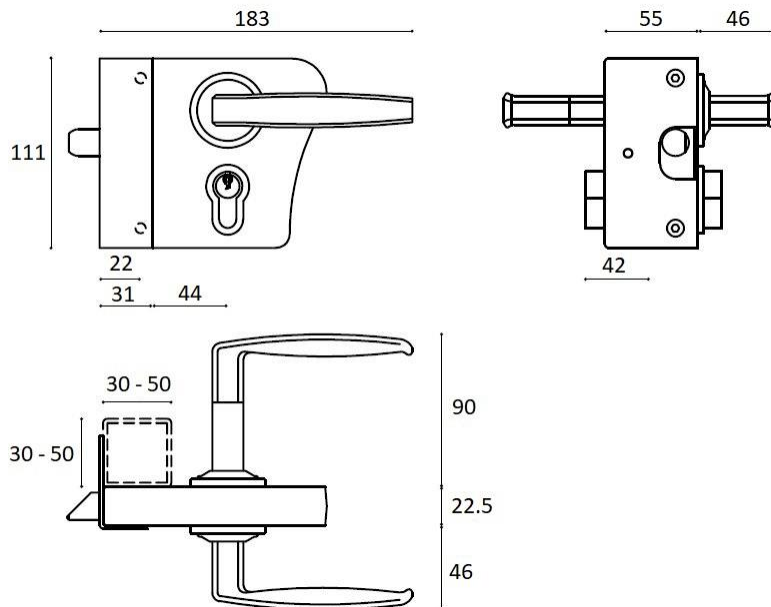
**Overview:**



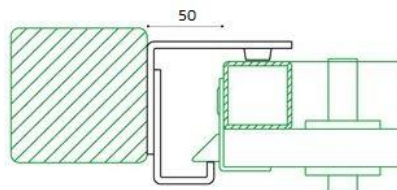
- Quick and easy installation with screws
- Excludes welds, cuts and drill holes
- Economical polymer housing
- Suitable for gate frames 30 to 50mm
- Reversible for right or left application
- Available in green or black

**Dimensions:**

**Gate Lock**



**Adjustable Gate Lock Stop**



Codice Code	Tubo Tube	Confezione Package
770	30-35-40-50	1

### Installation:



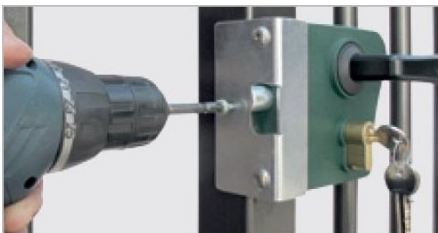
Select the required lock colour.



Remove the front plate.



Align and fix the lock to the gate frame with the screws provided.



Fix the front plate to the lock and on the gate frame.



Align and fix the lock stop to the gate post.



If required, adjust the gate hinges to improve the coupling between the lock and lock stop.